

(21) Application No 9125219.7

(22) Date of filing 27.11.1991

(30) Priority data

(31) 9026037 (32) 30.11.1990 (33) GB

(71) Applicant

GEC-Marconi Limited

(Incorporated in the United Kingdom)

The Grove, Warren Lane, Stanmore, Middlesex,
HA7 4LY, United Kingdom

(72) Inventors

Ian Richard Aldred
Robert Thomas Joseph Dodd
Reginald Frederick Humphryes
Andrew Guy Philpott

(51) INT CL⁵

G01S 7/03, H03D 7/02

(52) UK CL (Edition K)

H4D DRPA DSH D265 D360 D396

H3R RMB

U1S S2188

(56) Documents cited

GB 1534210 A US 3896425 A

(58) Field of search

UK CL (Edition K) H4D DRPA DRPD DRPH DSH

INT CL⁵ G01S, G08B

On-line database: W.P.I.

(74) Agent and/or Address for Service

W P Kepler

The General Electric Company plc, Central Patent
Department (Wembley Office), Hirst Research Centre,
East Lane, Wembley, HA9 7PP, United Kingdom

(54) Motion detector unit

(57) A unit for detecting a moving person or object by means of doppler frequency shifts comprises a microwave circuit board 1, accommodating an oscillator and a mixer, an antenna board 2 carrying transmit 8 and receive 7 patch arrays, and a ground plane layer 4 between the two boards. In the assembled unit the two boards 1, 2 are intimately secured together. Coupling between the microwave circuit and the antenna arrays is achieved by two slots 5, 6 resonant at the oscillator fundamental frequency, formed in the ground plane 4. Feed striplines 9, 10, 17, 19 on the two boards lie orthogonal to and sandwich the slots 5, 6. The stripline/slot arrangement suppresses emission at the oscillator second harmonic frequency.

The mixer circuit is described in detail (Fig. 6).

Fig. 1.

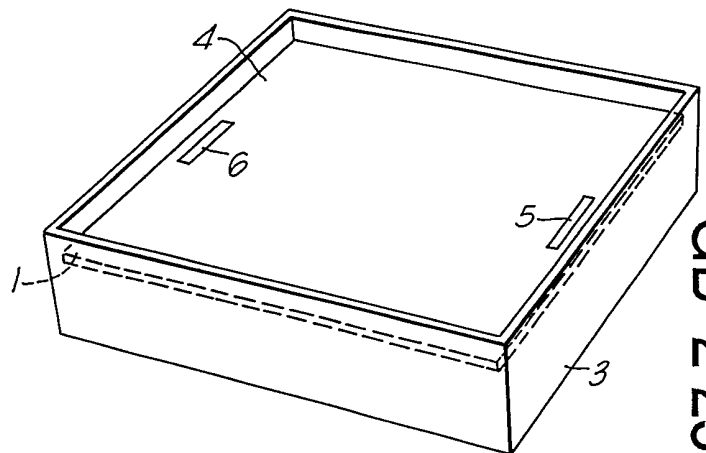
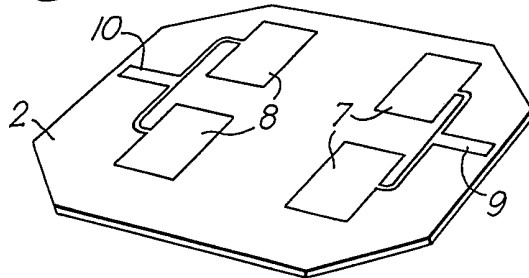
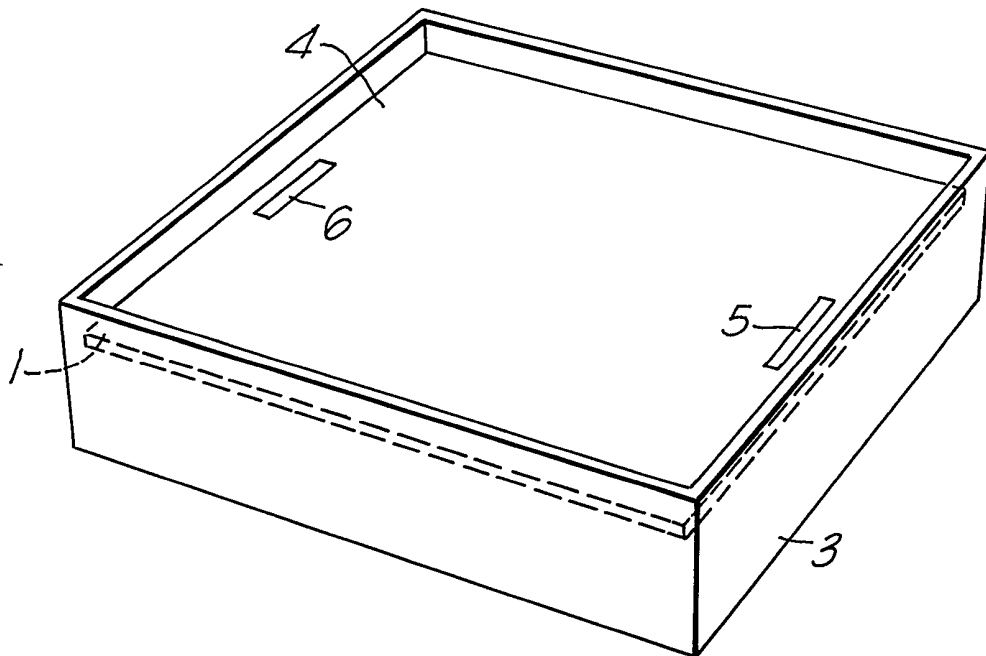
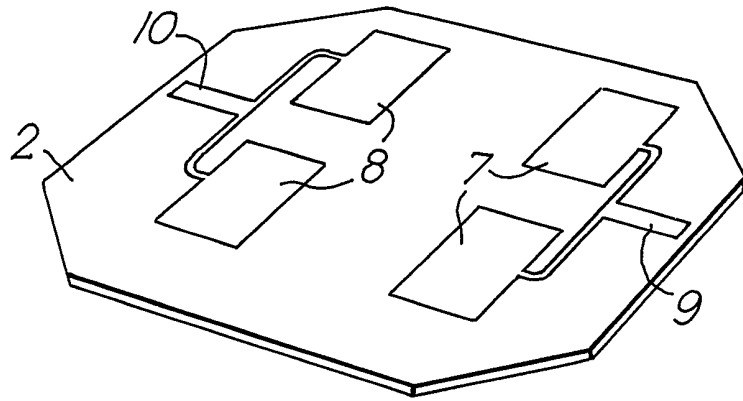


Fig. 1.



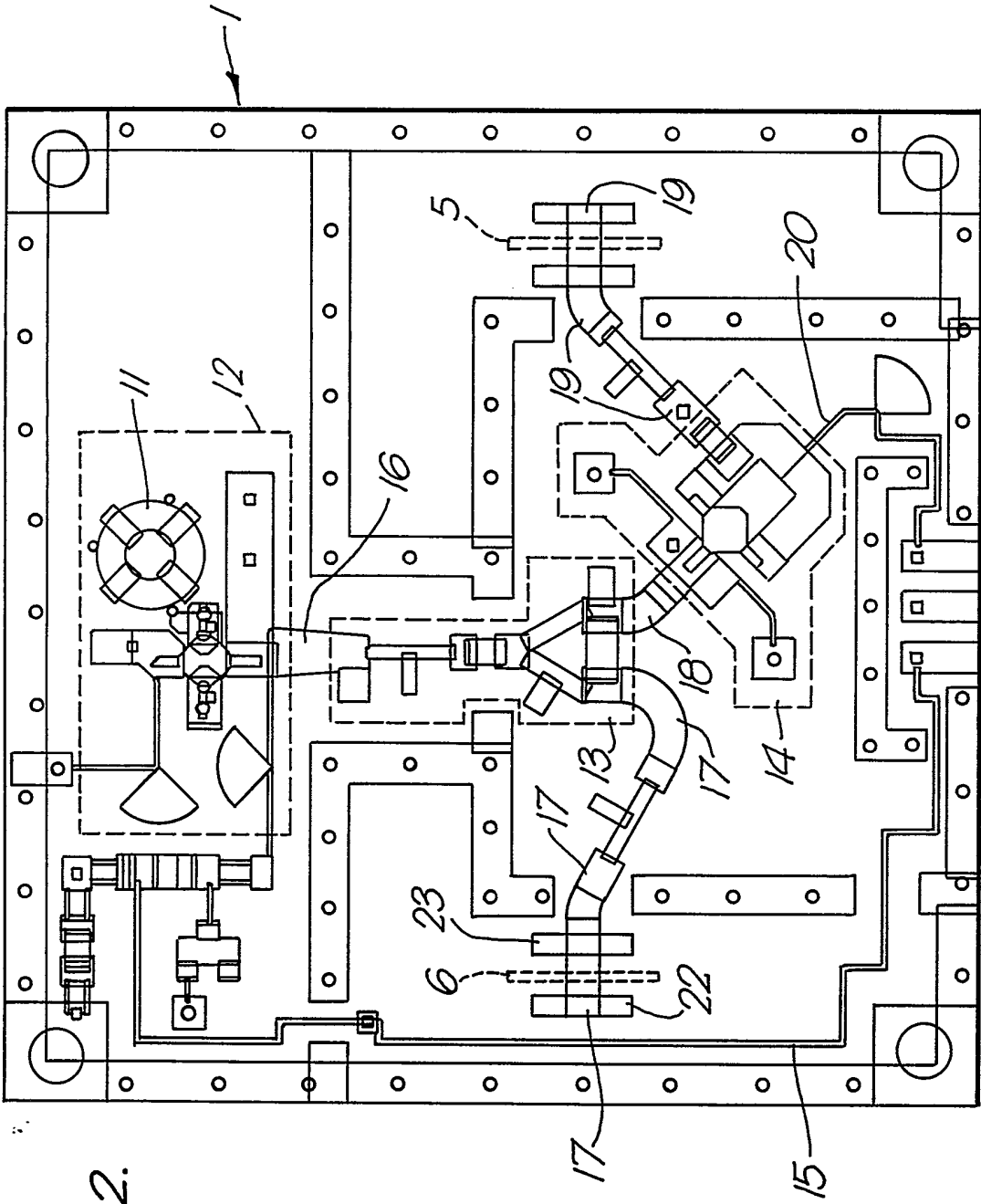


Fig. 2.

Fig. 3.

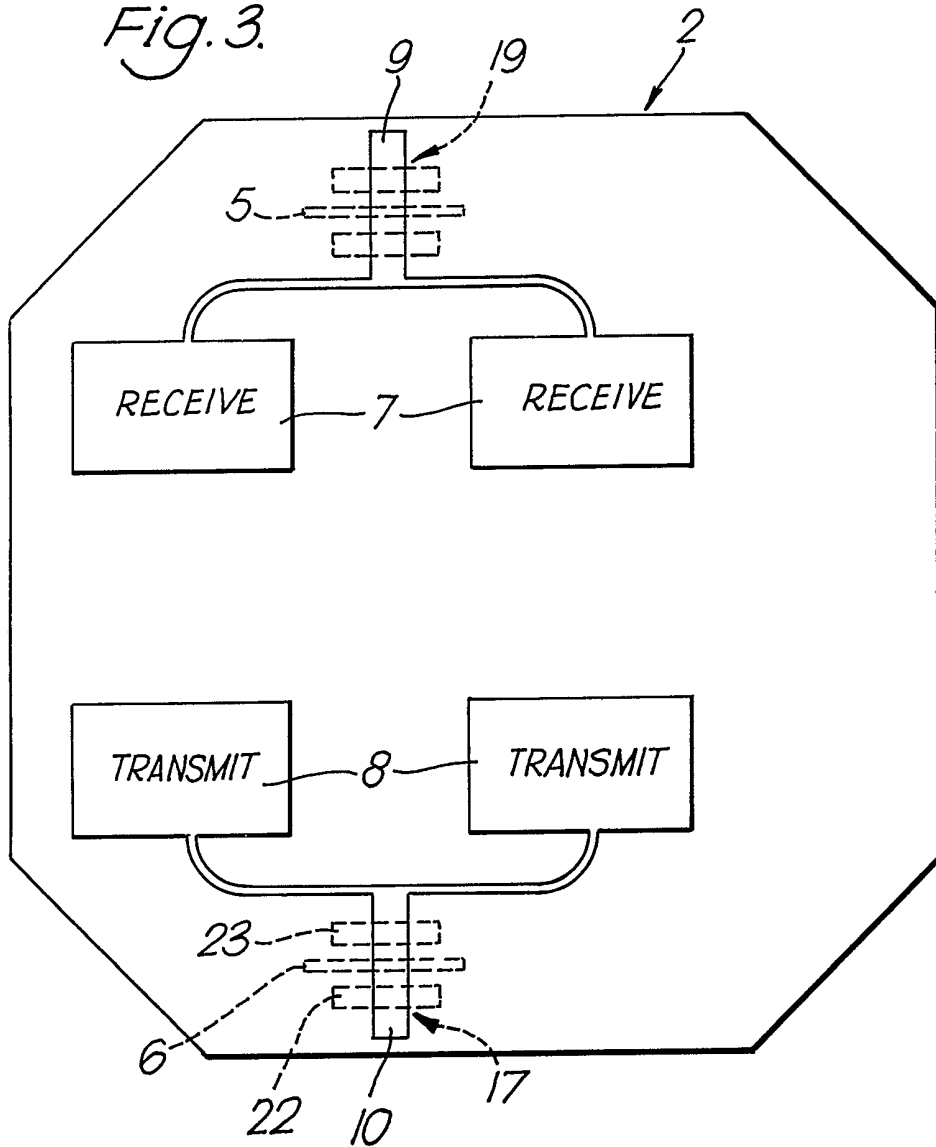
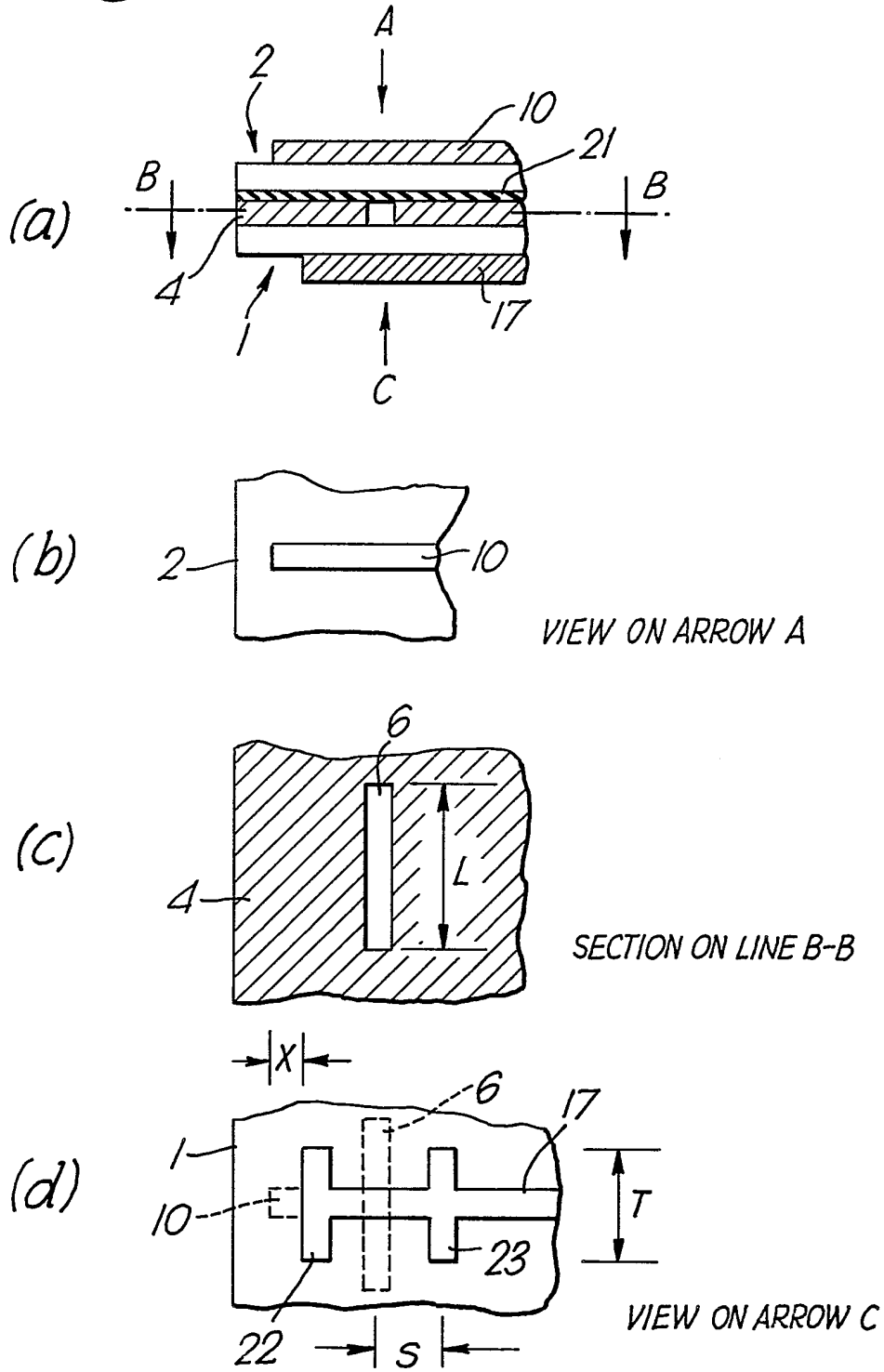


Fig. 4.



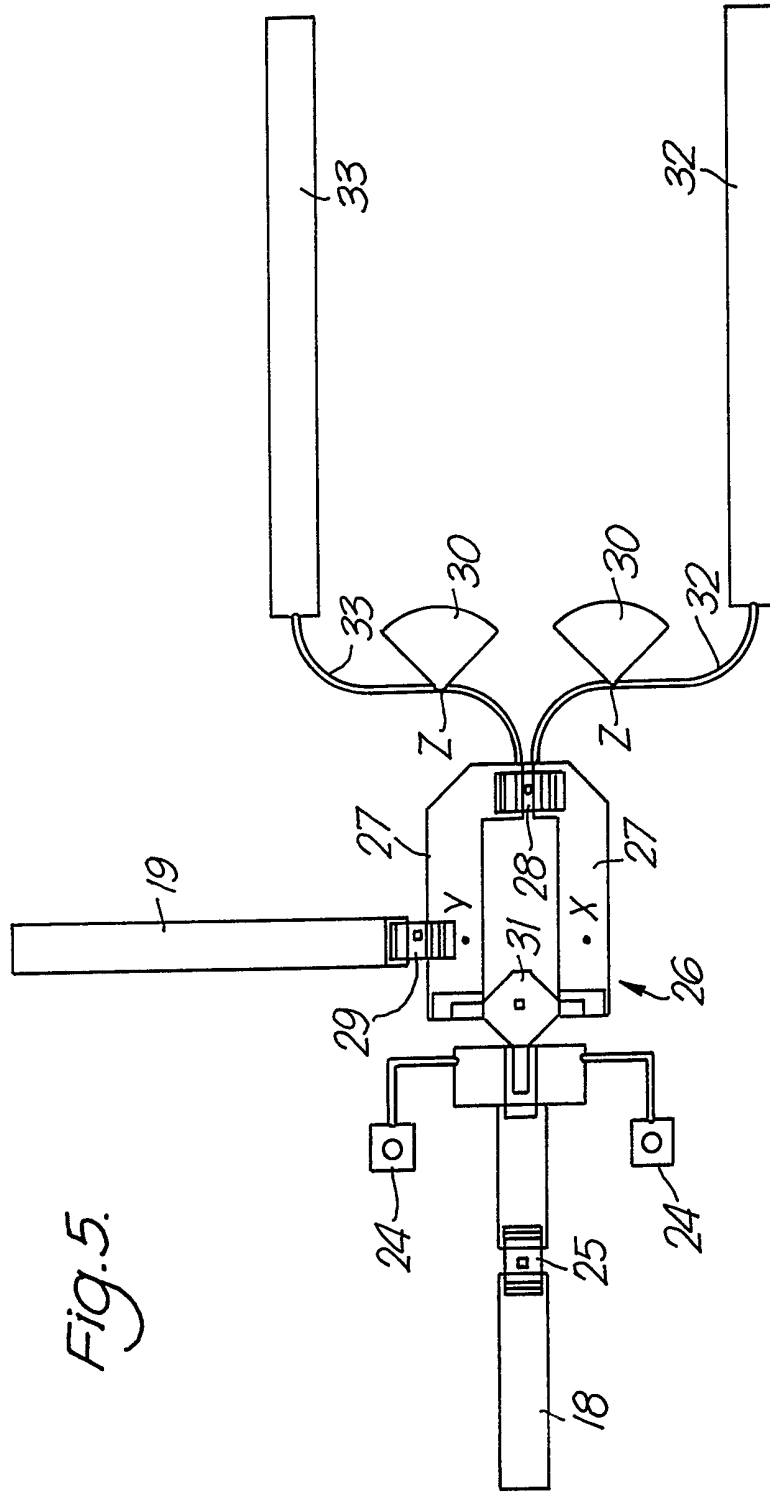
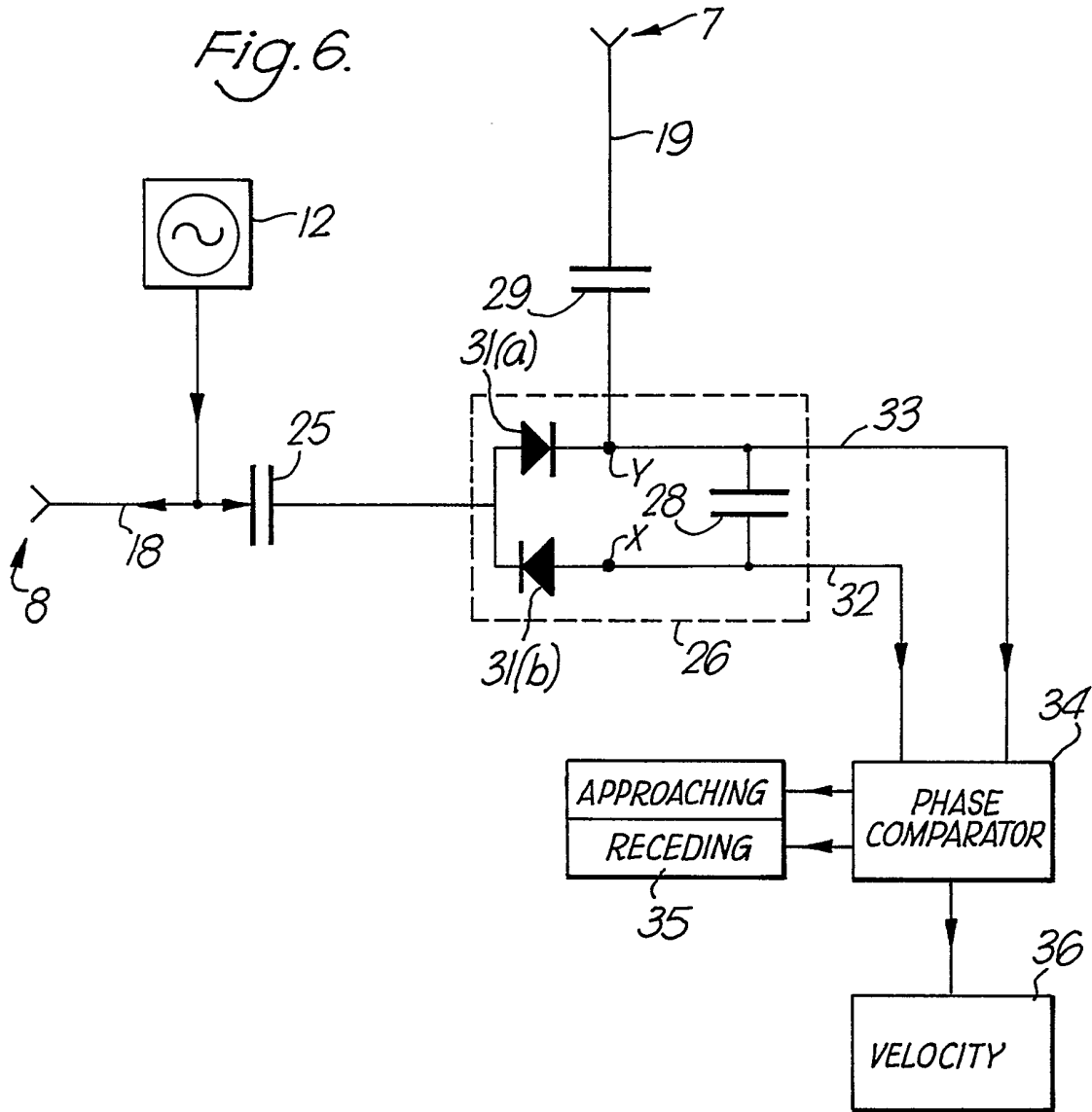


Fig. 5.

Fig. 6.



-1-

MOTION DETECTOR UNIT

This invention relates to a motion detector unit for detecting a moving person or object by means of doppler frequency shift.

The use of the doppler effect for detecting such motion is well-known. Typical applications include intruder alarms and automatic door openers, for which a unit of conventional construction comprises a Gunn diode oscillator mounted in a cavity resonator such as a simple waveguide tube. A diode mixer also mounted in the tube provides an output at the doppler frequency. This construction has a number of drawbacks: its relative complexity for mass-production, the power consumption of the oscillator, and, especially, difficulties in meeting the stringent harmonic radiation suppression requirements imposed by the regulatory authorities in most countries.

It is an object of the present invention to provide a motion detector unit which can be more cheaply and conveniently fabricated and which to a considerable extent overcomes the aforementioned shortcomings.

According to one aspect of the invention a motion detector unit for detecting motion by means of doppler frequency shift comprises a microwave circuit board, an antenna circuit board, and a ground plane layer, the two boards being superimposed with the ground plane layer intervening, the microwave circuit board comprising an oscillator and a mixer, and the antenna circuit board comprising transmit and receive antennas, each antenna having a respective feed stripline which substantially overlies an associated stripline on the microwave circuit board, the ground plane layer having, for each antenna, a respective slot to provide coupling between the microwave circuit and the antenna, the slot being resonant at the fundamental frequency of the oscillator, with said feed stripline and said associated stripline lying orthogonal to the resonant dimension of the slot and extending beyond the slot.

Preferably at least one of the feed stripline and the associated stripline terminates in a T-section comprising a cross-bar strip parallel with the slot.

If the stripline on the microwave circuit board terminates in such a T-section, it preferably includes a further cross-bar strip parallel with the slot but on the opposite side of the slot to the T-section.

In one embodiment of the invention, the mixer comprises a pair of diodes connected in series, the common connection point of the diodes constituting a first input of the mixer, and a stripline section which connects the other ends of the diodes via high-pass capacitance means, a second input of the mixer being at such a point on the stripline section as to introduce a quadrature phase difference between signals applied to the two diodes via the second input, the two mixer inputs being coupled respectively to the oscillator and the receive antenna, the mixer producing, in operation, two doppler outputs at the terminals of the capacitance means of identical frequency but differing phase, the phase relationship of the two outputs being indicative of the sense of the detected motion.

The first input of the mixer may be coupled to the oscillator and the second input of the mixer coupled to the stripline on the microwave circuit board which is associated with the receive antenna.

Each antenna preferably comprises an array of patch elements connected to a said feed stripline on the antenna circuit board.

Said ground plane layer is preferably carried by the microwave circuit board.

According to another aspect of the invention a microwave mixer, for use in detecting target motion by means of doppler frequency shift, comprises a pair of diodes connected in series, the common connection point of the diodes constituting a first input of the mixer, and a stripline section which connects the other ends of the diodes via high-pass capacitance means, the stripline section having a length which is such as to introduce a quadrature phase difference between signals applied to the two diodes via a second input of the mixer at a point on the stripline section, the two mixer inputs being coupled respectively in use to a sample of a transmitted microwave signal and a received echo of the transmitted signal from a moving target, the mixer producing, in operation, two doppler outputs at the terminals of the capacitor of identical frequency but differing phase, the phase relationship of the two outputs being indicative of the sense of the detected target motion.

A motion detector unit in accordance with the invention will now be described, by way of example only, with reference to the accompanying drawings, in which:

Figure 1 is a view showing basic constructional features of the unit;

Figure 2 shows a microwave circuit board suitable for use in the unit;

Figure 3 shows an antenna circuit board for use in association with the board of Figure 2;

Figure 4 shows features of the two boards which provide coupling between the microwave circuit and the antennas;

Figure 5 shows a circuit board layout of an alternative design of mixer for use in the microwave circuit of Figure 2; and

Figure 6 is a circuit diagram of the mixer of Figure 5.

Referring to Figure 1, the unit comprises two circuit boards 1,2 mounted adjacent and parallel to one another, i.e. in a stacked, face-to-face configuration. The two circuit boards are housed in a metallic box 3 or other suitable screened enclosure. Board 2 is shown removed from the box in the figure. Board 1 accommodates microwave circuitry on its inwardly-directed face (not shown). As shown, the box 3 is open at one side to expose the other face of board 1. This face has a ground plane layer 4 which further screens the microwave circuitry. Thus, circuit board 1 is of conventional double-sided microstripline type.

Figure 2 shows the microwave circuit board 1 in more detail, as viewed from the component side of the board. The principal components comprise a microwave oscillator 12, a signal splitter 13 and a balanced diode mixer 14. Power is supplied to the oscillator 12 via a supply line 15. The oscillator is preferably an FET design employing a mechanically tunable dielectric resonator 11. This type of oscillator has the advantages of lower power consumption and reduced spurious emission levels than, say, a conventional gunn diode-based design. The output of the oscillator is provided, via a line 16, to the signal splitter 13. The signal splitter incorporates filter components which selectively pass the required fundamental frequency signal and also prevent any d.c. component in the oscillator output from reaching the following stages of the circuit. The splitter 13 divides the oscillator signal between two striplines 17, 18. In the assembled unit, stripline 17 is coupled to transmit antennas 8 on board 2 (Figure 1). Stripline 18 is connected to one input of the mixer 14. The other input of the mixer 14 is connected to a further stripline 19, which, in turn, is coupled to receive antennas 7 on board 2 (Figure 1). The oscillator 12 provides a 'local oscillator' input to the mixer, which operates in a conventional

homodyne manner. The mixer output on line 20, which constitutes the output signal of the unit, thus comprises a low frequency doppler signal of the order of 100 Hz which can be filtered and processed in known manner.

Figure 3 shows the antenna circuit board 2. This board can be of single-sided construction, i.e. having a conductive layer on one face only, and carries separate transmit (8) and receive (7) antenna arrays. Each antenna array comprises two patch elements, which are interconnected and connected to common feed striplines 10 and 9 for the transmit (8) and receive (7) arrays respectively. In the assembled unit the antenna board 2 is secured, for example by glueing, atop the microwave circuit board 1, with the ground plane layer 4 intervening, so that the patch elements 7, 8 are exposed at the open side of the box 3. The alignment of the two boards is such that the transmit array feed line 10 on the antenna board overlies the associated stripline 17 on the microwave board. Similarly, the receive array feed line 9 on the antenna board overlies the associated stripline 19 on the microwave board. For each of the striplines 9, 10, 17, 19 the conductive layer 4 on the microwave board 1 provides the associated ground plane.

In accordance with the invention, coupling between the microwave circuit board 1 and the antenna board 2 is achieved by the provision of two narrow slots 5, 6 in the ground plane layer 4 of the microwave board (see Figure 1). In Figures 2 and 3, the position of the slots 5,6 (shown dotted) in relation to the feed striplines 17, 19 on the component side of the board 1 can be seen. In the ensuing description, for the purposes of convenience, reference will be made solely to the coupling arrangement for the transmit patches 8 by means of the slot 6. However, it will be appreciated that the arrangement for the receive patches 7 by means of the slot 5 is in all material aspects identical.

Referring to Figures 2 and 3, it can be seen that the slot 6 and the stripline 17 lie mutually orthogonal, with the stripline 'crossing' the slot so as to terminate a short distance beyond the slot. In the present, preferred, arrangement the stripline 17 features two cross-bar strips 22, 23 disposed parallel to and symmetrically about the slot 6. The cross-bar strip 22 lies at the end of the line 17 so as to form a T-section.

Figures 4(a)-(d) show various views of the two boards 1, 2 in the vicinity of the slot 6. Figure 4(a) is a section on a line through the stripline 17 and shows the boards in their 'assembled' state. The thicknesses of the conductive layers are exaggerated for clarity. The boards may be glued or otherwise secured together. If they are glued, a thin layer 21 of plastic or other insulating material may be sandwiched between the boards to assist bonding. It can be seen in Figure 4(d) that, in this specific example, the antenna feed line 10 on board 2 overlies the stripline 17 on board 1, but extends a short distance x beyond the T-section termination 22 of stripline 17.

The length L of the slot 6 is chosen for resonance at the fundamental frequency of the oscillator, and corresponds approximately to a half-wavelength, the precise figure being determined by the guide wavelength in the dielectric substrate of board 1. The configuration of the striplines 10 and 17, in particular the length T of the cross-bar strips 22, 23, determines the degree of suppression of the second harmonic of the oscillator fundamental frequency. The optimum dimensions may be established empirically.

By way of example only, the following design details refer to the coupling arrangement used in one unit constructed in accordance with the invention:

fundamental frequency	: 10.6 - 10.7 GHz
impedance of microstrip lines 10,12	: 50 ohms
dielectric substrate	: FR4 (fibreglass resin p.c.b.)
length L of slot	: 8.0mm
width of slot	: 0.5mm

length T of cross-bar : 6.3mm
width of cross-bar : 1.0mm
separation s of slot and cross-bar : 1.5mm
extent x of antenna feed line beyond T-section 22 : 1.5mm

In an alternative design, the antenna feed line 10 terminates in a cross-bar to form a T-section, in the same manner as the stripline 17. In this case, the feed line 10 does not extend beyond the end of the stripline 17, but rather the terminating T-sections of the two lines are co-incident, i.e. overlie one another.

The use of the terminating T-sections on one or both of the striplines 10, 17 is not essential. Plain stripline stubs could be used instead, in which case the extent to which the stub line extends beyond the slot affects the harmonic suppression. However, an advantage of using a terminating T-section is that the stub line can be made shorter than would otherwise be possible, providing a saving in board space and giving a more compact size to the unit. It has been found that the provision of the second cross-bar strip 23 on stripline 17 gives a sharper response in rejecting the second harmonic, possibly by reducing radiation from the T-section cross-bar 22 itself.

As already mentioned, the coupling arrangement between the receive patches 7 and mixer input line 19 via the slot 5 is preferably the same as the arrangement just described for the transmit patches. This is important because there will be some leakage of the second harmonic to the receive patches from the mixer. The coupling arrangement reduces any such unwanted emission of the second harmonic via the receive patches.

The use of separate, but otherwise identical, patch arrays 7, 8 on the antenna board 2 ensures minimal signal wastage and allows a balanced mixer, rather than the traditional single-ended type, to be used. The balanced mixer provides a lower conversion loss and improved sensitivity due to the cancellation of AM noise from the oscillator.

In some applications for the unit it is desirable to know whether the detected motion is towards or away from the unit. For example, when the unit is being used to control automatic sliding doors, it is clearly useful to be able to distinguish the motion of a person approaching the doors from that of the same person having passed through, so that the doors are not held open for an unnecessarily long time. Figures 5 and 6 relate to a design of mixer which can be used in the unit in order to provide the facility of determining the sense of the detected motion.

It is well-established that the sign of the doppler frequency shift, and therefore the sense of the detected motion, may be found by splitting the received signal into two channels, each channel having a respective mixer. If corresponding inputs to the two mixers are supplied with versions of the oscillator signal which differ in phase by 90° or thereabouts, the sense of the detected motion may be determined according to the phase relationship of the mixer outputs, i.e. which one leads the other. As an alternative, the phase difference may be introduced between the received signal inputs to the mixers.

This known technique is adopted in the mixer configuration which will now be described with reference to the circuit board layout of Figure 5 and the corresponding circuit diagram of Figure 6. As in Figure 2, the oscillator signal is supplied on line 18 and the received r.f. signal on line 19. The oscillator signal is supplied via a capacitor 25 which prevents any d.c. component from reaching the mixer. The r.f. signal is supplied to the mixer via an impedance-matching capacitor 29.

The mixer 26 comprises two series-connected mixer diodes 31 whose common connection constitutes a first input of the mixer and to which is coupled the oscillator input line 18. Two short-circuits 24, formed as connections through the circuit board to the ground plane, are transformed to microwave open-circuits at the mixer input, while providing a d.c. return path for the diode current. The other ends of the diodes 31 are 'connected' via a stripline section 27

formed on the microwave board 1 and having a horseshoe-like shape. The stripline section 27 includes a 'high-pass' capacitor 28 which passes the required r.f. signal whilst isolating the two low frequency doppler outputs of the mixer on lines 32 and 33. The r.f. signal is applied to a second input of the mixer at a point Y on the section 27 adjacent diode 31(a). The applied signal reaches this diode 31(a) directly and the other diode 31(b) via the horseshoe path through the capacitor 28 to a second point Y adjacent the diode 31(b). The electrical length of the stripline section between points X and Y is made an odd number of quarter-wavelengths at the oscillator frequency since the points X and Y are equidistant from their respective diodes. This introduces the required 90° phase difference between the r.f. signals applied to the two diodes 31. The two mixer outputs at the doppler frequency are available at the terminals of the capacitor 28 on lines 32, 33. The fan shaped elements 30 provide microwave short-circuits at the points Z on the output lines 32, 33 to prevent any r.f. appearing in the low frequency outputs of the unit. The sense of the detected motion, ie whether the 'target' is approaching or receding (35), is determined from the phase relationship of the two outputs by using logic circuitry 34 in conventional manner. The magnitude of the doppler frequency will then give the target velocity (36) if required.

The above mixer configuration provides the advantages of a conventional balanced mixer, in terms of reduced AM noise and improved sensitivity, while at the same time effectively performing the function of two separate mixers, thus providing a useful saving in components and circuit board space.

It will be appreciated that the 90° phase shift may alternatively be introduced in the oscillator input to the mixer rather than in the received signal input, by applying the oscillator signal to points X and Y and the received signal to the diode connection point.

The capacitors 25, 28 and 29 may comprise discrete, for example surface-mounted, components or may be formed as interdigitated breaks in the stripline conductors.

It will be apparent that the above-described mixer configuration has wider application. Indeed, it may be used in any microwave doppler system.

While a major advantage offered by the invention is the significant reduction in emission at the second harmonic frequency, there are a number of other benefits. These include the compact size and ease of manufacture compared with, say, the waveguide type of motion detector.

Whereas in the specific embodiment described the slot-containing ground plane layer is provided by the microwave circuit board, it will be appreciated that it could alternatively be formed on the antenna board, on the face opposite that carrying the patch arrays. A separate ground plane board could conceivably be used instead. However, since the microwave board will ordinarily need to be double-sided, the described arrangement is preferred. This also enables the antenna board to have a simpler single-sided construction.

It will be appreciated also that the two-patch arrays shown in Figure 3 are described by way of example only. Either single patches or other designs involving more than two elements may equally be used. Furthermore, the size and configuration of the array can be chosen so that the shape and angle of the radiated beam meets a specified sensitive coverage volume of the unit. In this respect it is to be noted that the antenna board is fabricated separately from the rest of the unit and requires no electrical connection on assembly. Accordingly, the sensitive coverage volume of the unit may be changed, if required, simply by replacing the antenna board with one carrying a different patch array pattern. This represents a considerable advantage over the waveguide type of unit where it may be necessary to increase the depth or change the shape of the horn to adjust the radiation pattern.

CLAIMS

1. A motion detector unit for detecting motion by means of doppler frequency shift, the unit comprising a microwave circuit board, an antenna circuit board, and a ground plane layer, the two boards being disposed with said ground plane layer intervening, said microwave circuit board comprising an oscillator and a mixer, and said antenna circuit board comprising transmit and receive antennas, each antenna having a respective feed stripline which substantially overlies an associated stripline on said microwave circuit board, said ground plane layer having, for each antenna, a respective slot to provide coupling between the microwave circuit and the antenna, said slot being resonant at the fundamental frequency of said oscillator, with said feed stripline and said associated stripline lying orthogonal to the resonant dimension of the slot and extending beyond the slot.
2. A motion detector unit according to Claim 1, wherein at least one of said feed stripline and said associated stripline terminates in a T-section comprising a cross-bar strip parallel with said slot.
3. A motion detector unit according to Claim 2, wherein each said stripline on the microwave circuit board terminates in a said T-section and includes a further cross-bar strip parallel with said slot but on the opposite side of the slot to the T-section.
4. A motion detector unit according to any one of the preceding claims, wherein said mixer comprises a pair of diodes connected in series, the common connection point of the diodes constituting a first input of the mixer, and a stripline section which connects the other ends of the diodes via high-pass capacitance means, a second input of the mixer being at such a point on the stripline section as to introduce a quadrature phase

difference between signals applied to the two diodes via said second input, the two mixer inputs being coupled respectively to said oscillator and said receive antenna, the mixer producing, in operation, two doppler outputs at the terminals of said capacitance means of identical frequency but differing phase, the phase relationship of the two outputs being indicative of the sense of the detected motion.

5. A motion detector unit according to Claim 4, wherein said first input of the mixer is coupled to said oscillator and said second input of the mixer is coupled to the stripline on said microwave circuit board which is associated with said receive antenna.

6. A motion detector unit according to any one of the preceding claims, wherein each said antenna comprises an array of patch elements connected to a said feed stripline on the antenna circuit board.

7. A motion detector unit according to any one of the preceding claims, wherein said ground plane layer is carried by said microwave circuit board.

8. A microwave mixer for use in detecting target motion by means of doppler frequency shift, the mixer comprising a pair of diodes connected in series, the common connection point of the diodes constituting a first input of the mixer, and a stripline section which connects the other ends of the diodes via high-pass capacitance means, said stripline section having a length which is such as to introduce a quadrature phase difference between signals applied to the two diodes via a second input of the mixer at a point on the stripline section, the two mixer inputs being coupled

respectively in use to a sample of a transmitted microwave signal and a received echo of the transmitted signal from a moving target, the mixer producing, in operation, two doppler outputs at the terminals of said capacitor of identical frequency but differing phase, the phase relationship of the two outputs being indicative of the sense of the detected target motion.

9. A microwave mixer according to Claim 8, wherein said capacitance means comprises an interdigitated d.c. break.

10. A motion detector unit substantially as hereinbefore described with reference to the accompanying drawings.

11. A microwave mixer substantially as hereinbefore described with reference to Figure 5 and Figure 6 of the accompanying drawings.

- 14 -

Patents Act 1977
Examiner's report to the Comptroller under
Section 17 (The Search Report)

Application number
9125219.7

Relevant Technical fields

- (i) UK CI (Edition K) H4D (DRPD, DRPH, DSH, DRPA)
- (ii) Int CL (Edition 5) G01S, G08B

Search Examiner

DR E P PLUMMER

Databases (see over)

- (i) UK Patent Office
- (ii) ONLINE DATABASE: WPI

Date of Search

8 APRIL 1992

Documents considered relevant following a search in respect of claims

1-7

Category (see over)	Identity of document and relevant passages	Relevant to claim(s)
A	GB 1534210 (STC)	
A	US 3896425 (ERICHSEN)	

Category	Identity of document and relevant passages	Relevant to claim(s)

Categories of documents

X: Document indicating lack of novelty or of inventive step.

Y: Document indicating lack of inventive step if combined with one or more other documents of the same category.

A: Document indicating technological background and/or state of the art.

P: Document published on or after the declared priority date but before the filing date of the present application.

E: Patent document published on or after, but with priority date earlier than, the filing date of the present application.

&: Member of the same patent family, corresponding document.

Databases: The UK Patent Office database comprises classified collections of GB, EP, WO and US patent specifications as outlined periodically in the Official Journal (Patents). The on-line databases considered for search are also listed periodically in the Official Journal (Patents).